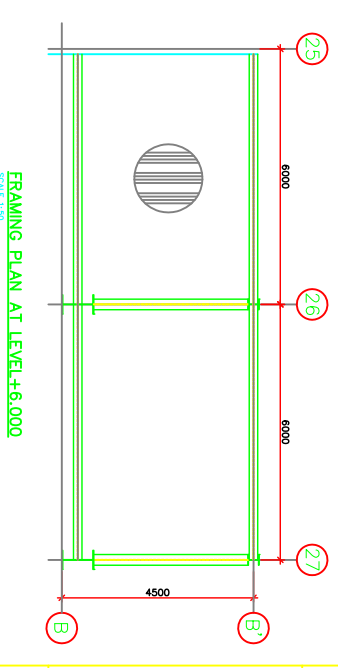
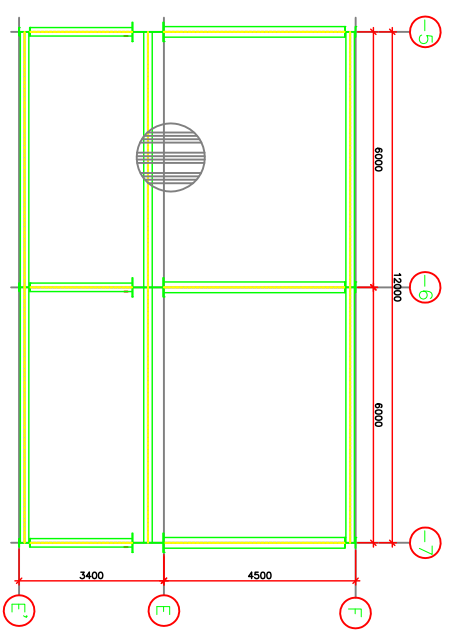


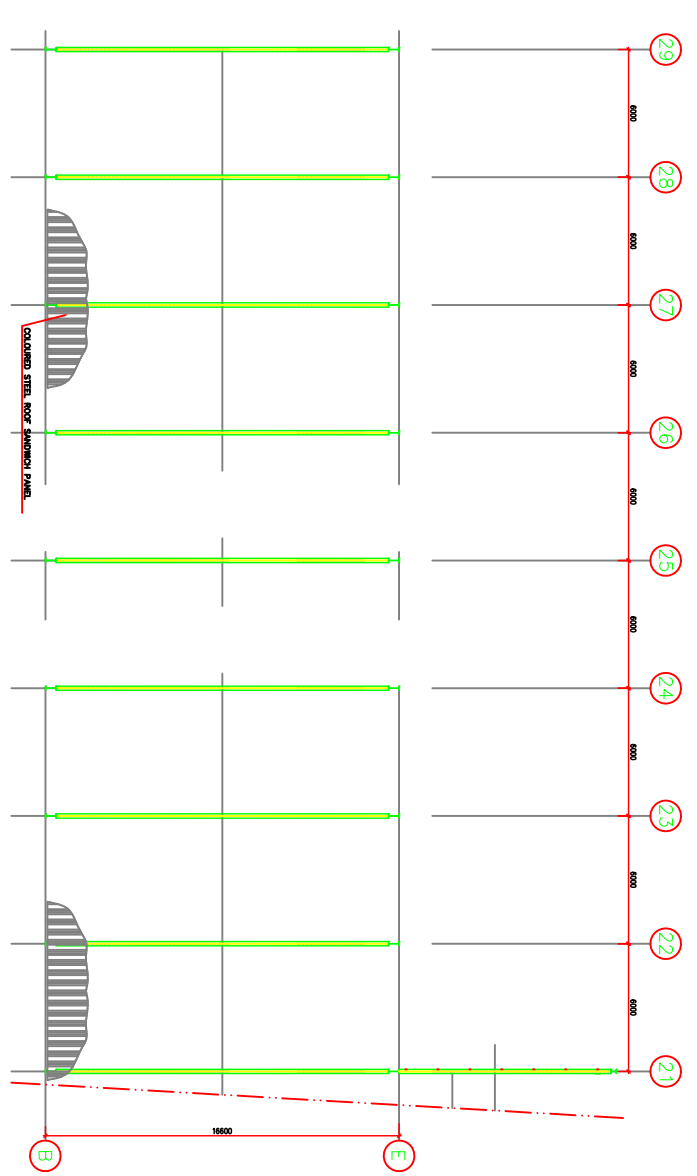
FRAMING PLAN AT LEVEL +12.000 (AXES 8~12)
SCALE 1:50



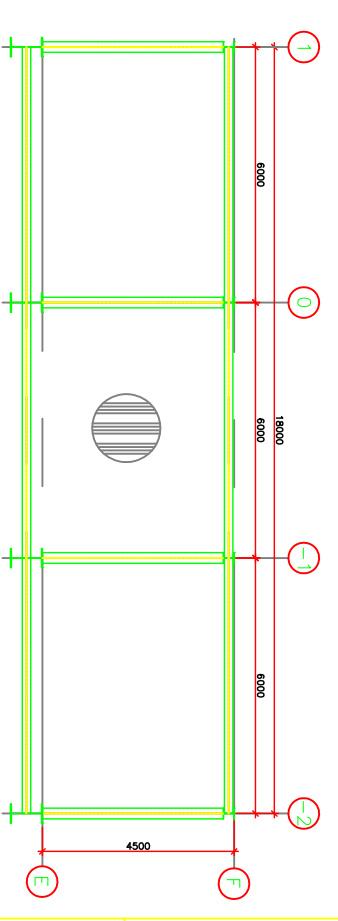
FRAMING PLAN AT LEVEL +8.000
SCALE 1:50



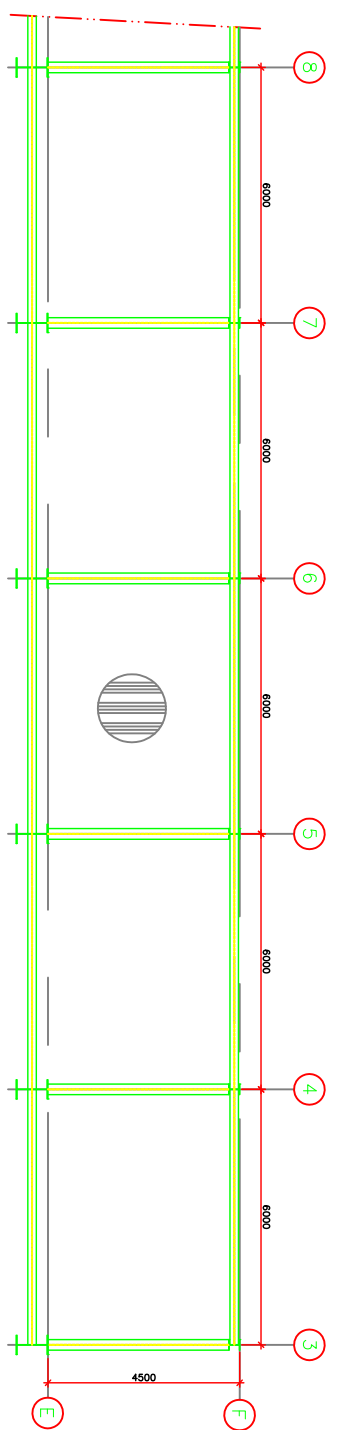
PLAN AT LEVEL +8.000
SCALE 1:50



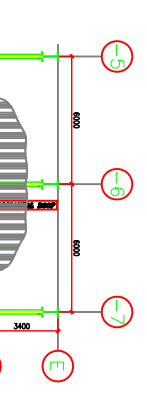
ROOF FRAMING PLAN (AXES 21~29)
SCALE 1:100



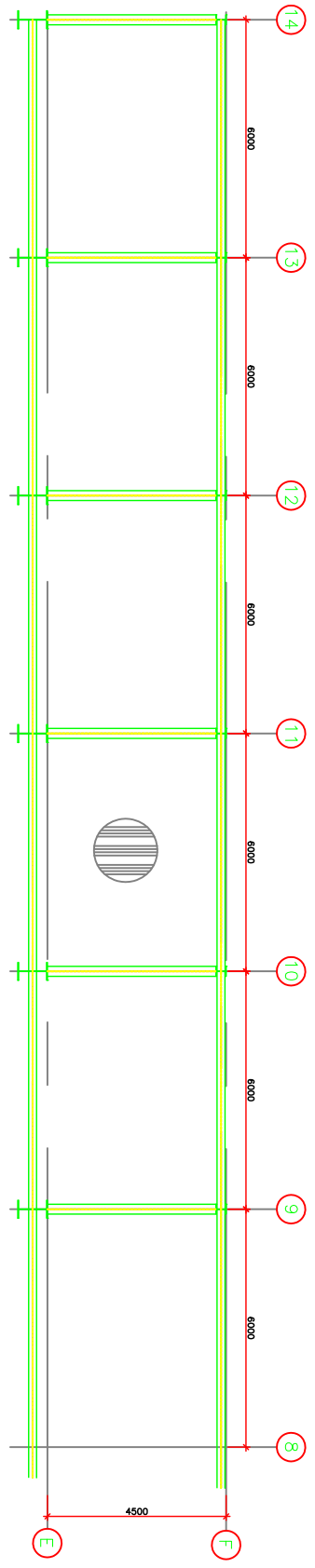
FRAMING PLAN AT LEVEL +12.000 (AXES -2~1)
SCALE 1:50




PLAN AT LEVEL +8.000
SCALE 1:50



INTERNAL ROOF FRAMING PLAN (AXES -7~-5)
SCALE 1:50



PLAN AT LEVEL +8.000
SCALE 1:50


CAIRO UNIVERSITY
FACULTY OF ENGINEERING
FOURTH YEAR CIVIL
STEEL PROJECT

UNIT #: 4 (2/8)
INDUSTRIAL BUILDING

DRAWING TITLE:

DATE: May 2018

SCALE: