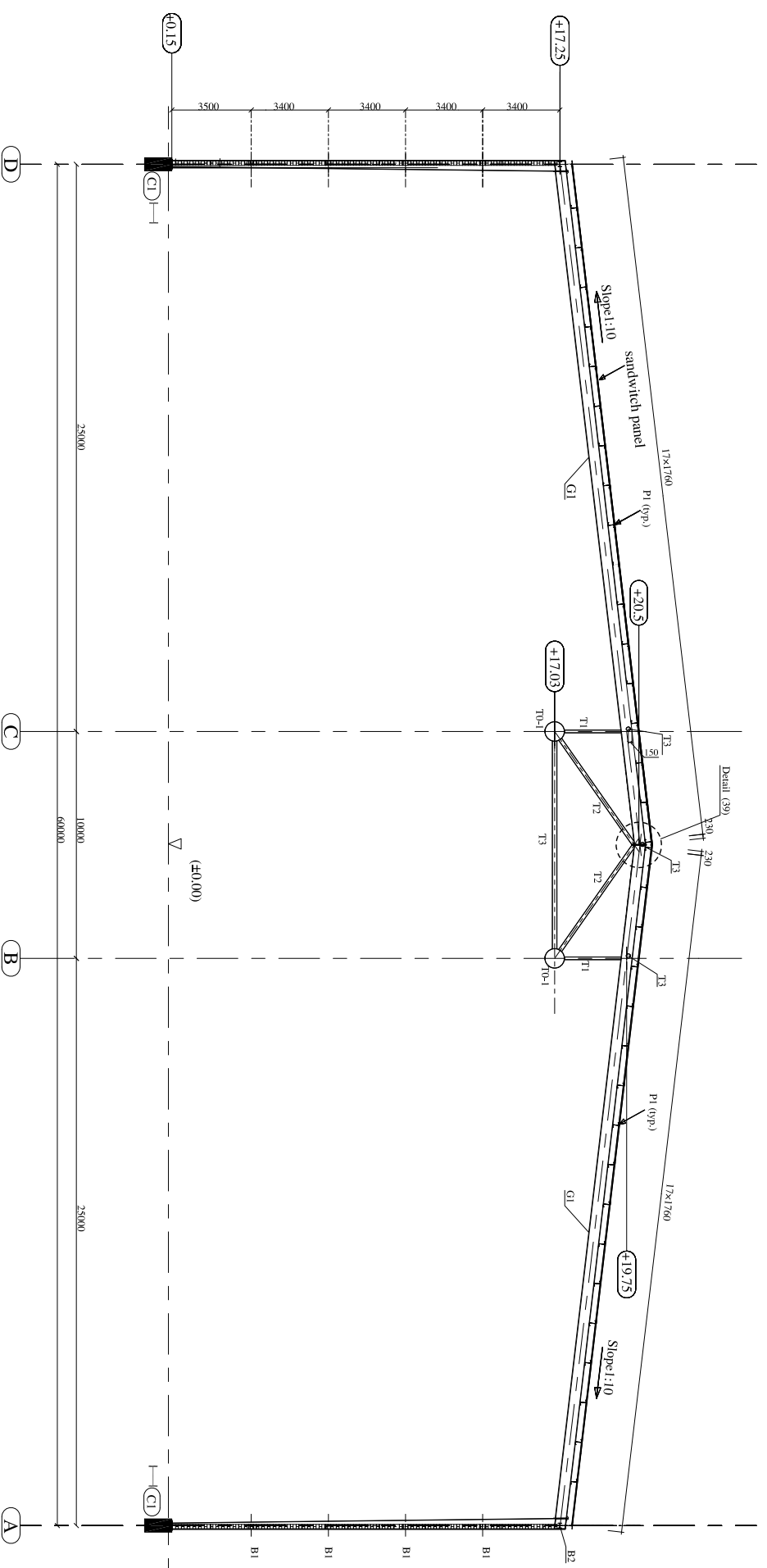


GRIDS "4 & 10"



GRIDS "5 & 9"